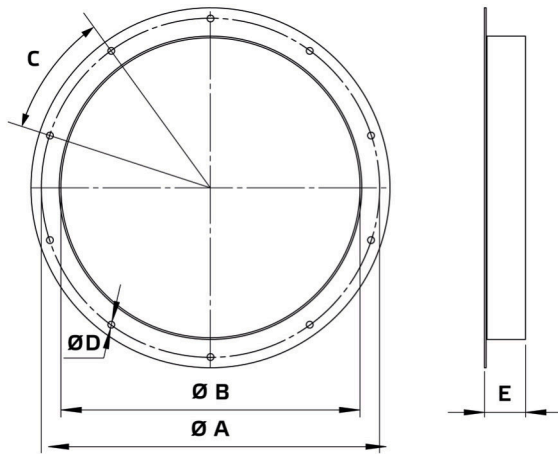


Datasheet

Product type: **Round inlet flange**
 Product ID: 154018
 Product name: RAF 355



A	mm	395
B	mm	350
C		8 x 45°
D	mm	10
E	mm	48
Weight	kg	1.4

- Sheet steel, powder-coated
- Flange mounting
- Suitable for outdoor installation

Use:

- AL 355 D4 01
- AL 355 D2 01
- AL 355 EC 01